

TENLEE ELECTRIC GROUP

Power for a better world
TENLEE ELECTRIC GROUP



**Medium Voltage
Products and Systems**

**PRODUCT
OVERVIEW
2014**



Reliable innovation. Reliable guarantee.

INDOOR SWITCH DISCONNECTOR&VACCUM CIRCUIT-BREAKER

MV LBS load break switch,switch disconnecter up to 40.5kv (12kv, 24kv and 36kv)



GFG Load break switch ABB type for Uniswitch panel 12KV 24KV



GSC Load break switch Schneider type for SM6 panel 12KV 24KV



GSC Load break switch Schneider type 24KV 275mm



GSC Load break switch Schneider type for SM6 panel 36KV

MV high quality and steady vaccum circuit-breaker up to 40.5kv (12kv, 24kv and 36kv)
Mechanical life up to 60000 times. Rated voltage up to 40.5kv. Rated current up to 4000A



VTL type vacuum circuit-breaker Assembly pole Same as ABB VD4



VTL type vacuum circuit-breaker Embedded pole Same as ABB VD4



VTL type vacuum circuit-breaker Lateral type Same as ABB VD4S



VTL type vacuum circuit-breaker up to 40.5kv



MV high competitive price and steady vaccum circuit-breaker up to 40.5kv (12kv, 24kv and 36kv)
Mechanical life up to 20000 times.



VS1 type vacuum circuit-breaker Assembly pole



VS1 type vacuum circuit-breaker Embedded pole



VS1 type vacuum circuit-breaker Lateral type



ZN85 type vacuum circuit-breaker up to 40.5kv

UTILITY

ELECTRICAL UTILITY



Transmission/
Distribution



Generation



Infrastructures

END
USERS

ELECTRICAL ENERGY END USERS



Industry



Tertiary



Wind

RES

RENEWABLE ENERGIES



Solar



Dispatchable
renewables

INDOOR SWITCH/VCB/CONTACTOR

Vacuum circuit-breaker up to 40.5kv
(12kv, 24kv and 36kv)



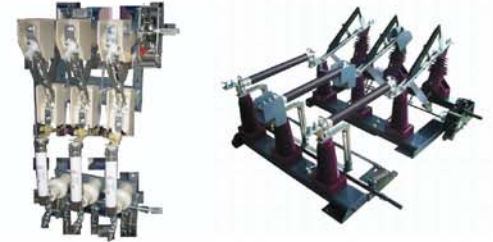
VTL type vacuum circuit-breaker
Same as Siemens 3AH

Vacuum contactors 7.2kv and 12kv



VFC type vacuum contactors

Air insulated switch disconnector up to 40.5kv
(12kv, 24kv and 36kv)



TNAL/TNALF type Air insulated switch disconnector
Same as ABB NAL/NALF

OUTDOOR OVERHEAD SWITCHES/RECLOSER/ CAPACITOR SWITCHES

MV high quality and steady outdoor vacuum circuit-breaker/recloser/capacitor switch up to 40.5kv
(12kv, 24kv and 36kv/15kv, 27kv and 38kv)



TVR type
outdoor VCB/recloser/capacitor switch
epoxy resin solid insulation
magnetic mechanism
Same as ABB OVR



TVR type
outdoor VCB/recloser/capacitor switch
epoxy resin solid insulation
magnetic mechanism
Same as ABB OVR



TZW type
outdoor VCB/recloser
competitive price and steady

MV outdoor gas insulated switch& CB up to 40.5kv
(12kv, 24kv and 36kv)



PLBS type pole mounted gas insulated switch
manual&motor mechanism
competitive price and steady



TZW type gas insulated switch
manual&motor mechanism
competitive price and steady



UTILITY

ELECTRICAL UTILITY



Transmission/
Distribution



Generation



Infrastructures



END
USERS

ELECTRICAL ENERGY END USERS



Industry



Tertiary



RES

RENEWABLE ENERGIES



Wind



Solar



Dispatchable
renewables

SWITCHGEAR SOLUTIONS & WHOLE SOLUTIONS FOR SWITCHGEAR

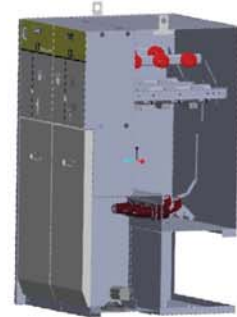
MV gas insulated switchgear/ring main units up to 40.5kv (12KV, 24KV and 36KV)



TRM-K type gas insulated switchgear
high quality free maintenance for 30 years
same as ORMAZABAL



TRM-C type gas insulated switchgear
high quality free maintenance for 30 years
same as ABB safering & safeplus



whole solutions for switchgear
OEM switchgear kits and parts

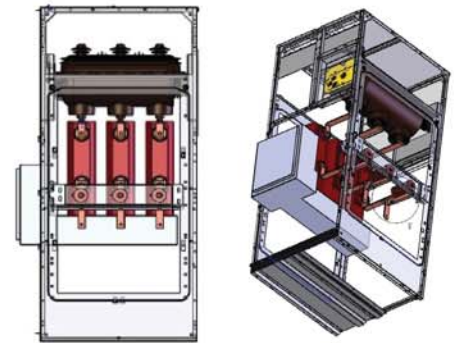
MV air insulated switchgear up to 40.5kv (12KV, 24KV and 36KV)



TSM type air insulated switchgear up to 36kv
same as SCHNEIDER SM6
whole solutions for SCHNEIDER SM6



TUS type air insulated switchgear up to 24kv
same as ABB uniswitch
OEM service



whole solutions for switchgear
OEM switchgear kits and parts

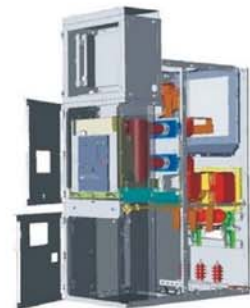
MV metal-clad air insulated switchgear up to 40.5kv (12KV, 24KV and 36KV)



KYN28 type air insulated switchgear up to 24kv
same as ABB UniGear ZS
whole solutions for metal-clad switchgear



KYN61 type air insulated switchgear up to 40.5kv
same as ABB UniGear ZS
whole solutions for metal-clad switchgear



whole solutions for switchgear
OEM switchgear kits and parts

UTILITY

ELECTRICAL UTILITY



Transmission/
Distribution



Generation



Infrastructures

END
USERS

ELECTRICAL ENERGY END USERS



Industry



Tertiary

RES

RENEWABLE ENERGIES



Wind



Solar



Dispatchable
renewables

TRANSFORMER SUBSTATION SOLUTIONS

MV Cable distribution box up to 40.5kv (12KV、24KV and 36KV)



TDFW type cable distribution box
EU type



TDFW type cable distribution box
US type



MV Pad mounted switchgear
ring main unit

MV Pad mounted transformer 40.5kv (7.2KV、12KV、24KV and 36KV)



TYB type Pad mounted transformer



TYB type Pad mounted transformer
For wind power generation system



whole solutions for Pad mounted transformer

MV prefabricated transformer substation up to 40.5kv (12KV、24KV and 36KV)



TZB prefabricated transformer substation



whole solutions for prefabricated transformer substation



About us

Combining manufacturing experience, new technology and industrial knowledge, TENLEE aims to build advanced power distribution and protection systems.

TENLEE is specialized in manufacturing a comprehensive range of solutions from 12kv to 36kv for indoor/outdoor systems:

complete medium voltage switchgear

vacuum circuit breakers

reclosers

load break switches

disconnecter switches

cast-resin transformers

power automation systems

For more information, please contact us

Web: www.tenleegroup.com

Phone: +86 15888770427

E-mail: sales@e-tenlee.com

Gmail: tenleegroup@gmail.com

Skype: [e.tenlee.group](https://www.skype.com/people/e.tenlee.group)

Headquater address: Tenlee High-Tech Industrial, Wenzhou, Zhejiang, P.R.China

All rights reserved.

If not stated otherwise on the individual pages of this catalog, we reserve the right to include modifications, especially regarding the stated values, dimensions and weights. Drawings are not binding.

Subject to change without prior notice.

The information in this document contains general descriptions of the technical options available, which may not apply in all cases.



Reliable innovation. Reliable guarantee.